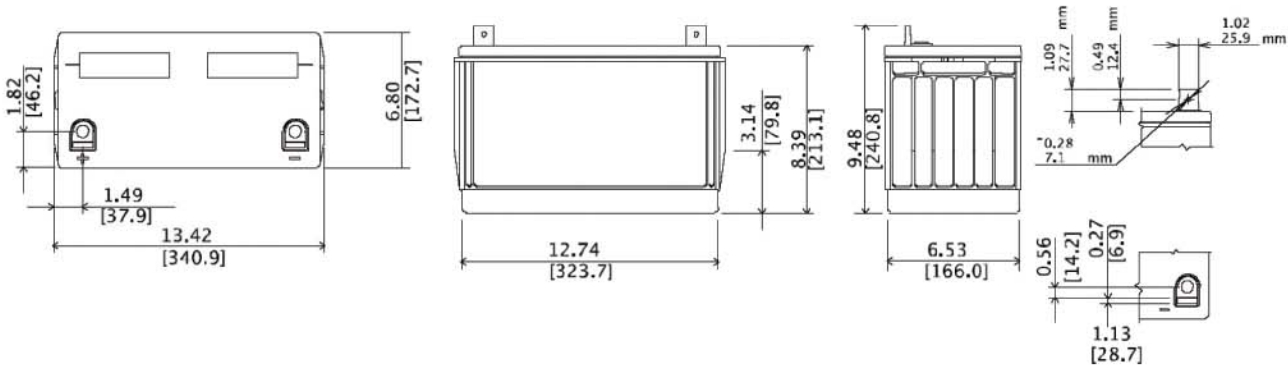


**HIGH RATE SERIES**

**UPS12-370 / UPS12-370FR**

阀控铅酸蓄电池 (VRLA)  
适用领域: UPS备用电源

12V 100 AH @ 20 HR RATE,  
12V 391 WATTS/CELL @ 15 MIN RATE



注: 所有尺寸单位为英寸和毫米, 所有的尺寸信息仅供参考。请联系西恩迪公司代表以便获得详细的尺寸信息。

每个电池单格数	电池电压	重量	电解液	最大放电电流	短路电流	内阻 60Hz (Ω)
6	12.84	34.0 Kg	H <sub>2</sub> SO <sub>4</sub> ; S.G.=1.30	800 Amps	5100 Amps @0.1 Sec	0.0025 Ohms

**UPS12-370 (FR) Constant Power Discharge Ratings – Watts Per Cell @ 25°C**

EPV	5 min	6 min	7 min	8 min	9 min	10 min	11 min	12 min	13 min	14 min	15 min	16 min	17 min	18 min	19 min	20 min
1.60	739.4	695.0	650.5	606.1	561.7	518.1	494.0	469.9	445.8	421.7	398.7	383.6	368.5	353.4	338.3	323.7
1.65	720.4	677.7	635.0	593.3	551.2	509.0	485.3	461.7	439.2	416.7	394.3	379.2	364.2	349.2	334.4	319.7
1.67	706.2	664.8	623.3	583.3	543.6	503.8	479.4	455.0	433.3	411.6	389.9	374.2	358.4	345.0	330.2	315.3
1.70	700.0	657.5	615.0	572.5	530.0	496.0	472.4	448.8	425.2	401.7	384.9	369.9	355.0	340.0	325.0	311.5
1.75	644.6	610.5	576.5	542.4	508.3	474.0	453.2	432.4	411.6	390.8	369.8	356.4	342.9	329.5	316.0	303.1
1.80	540.7	514.4	488.0	459.9	435.2	410.6	391.9	377.6	364.0	351.1	335.6	321.0	310.7	300.8	291.6	279.6

**UPS12-370 (FR) Extended Constant Power Discharge Ratings – Watts Per Cell @ 25°C**

EPV	25 min	30 min	35 min	40 min	45 min	50 min	60 min	90 min	2 Hrs	3 Hrs	4 Hrs	5 Hrs	8 Hrs	10 Hrs	12 Hrs	20 Hrs
1.60	282.6	241.4	216.3	191.2	173.5	159.5	137.0	101.4								
1.65	279.0	238.2	213.5	188.7	171.8	157.7	135.4	99.2								
1.67	275.5	235.6	211.1	186.6	169.0	154.5	132.9	95.7								
1.70	271.9	232.2	208.0	183.8	166.0	151.7	129.3	91.8								
1.75	265.1	227.0	202.9	178.7	162.3	148.3	126.7	89.4	69.2	49.2	38.7	32.1	21.9	18.1	15.3	10.0
1.80	243.3	207.0	185.1	163.1	148.5	136.2	116.4	83.8	65.5	46.7	36.5	30.4	20.8	17.4	15.0	9.8

**UPS12-370 (FR) Constant Current Discharge Ratings – Amp @ 25°C**

EPV	5 min	15 min	30 min	60 min	90 min	2 Hrs	3 Hrs	4 Hrs	5 Hrs	6 Hrs	7 Hrs	8 Hrs	10 Hrs	12 Hrs	20 Hrs	24 Hrs
1.75	349.4	192.8	116.8	64.5	45.33	35	24.83	19.5	16.2	13.92	12.21	11	9.08	7.7	5	4.19
1.80	289.1	174	106	59	42.33	33	23.5	18.35	15.26	13.15	11.57	10.43	8.7	7.5	4.9	4.13
1.85	240.9	153.6	97.6	55.5	40	31.4	22.33	17.5	14.5	12.5	11.11	10	8.4	7.23	4.75	4
1.90	192.7	140	91	52.5	38	30	21.5	16.88	14	12.08	10.71	9.63	8.1	7	4.65	3.92